



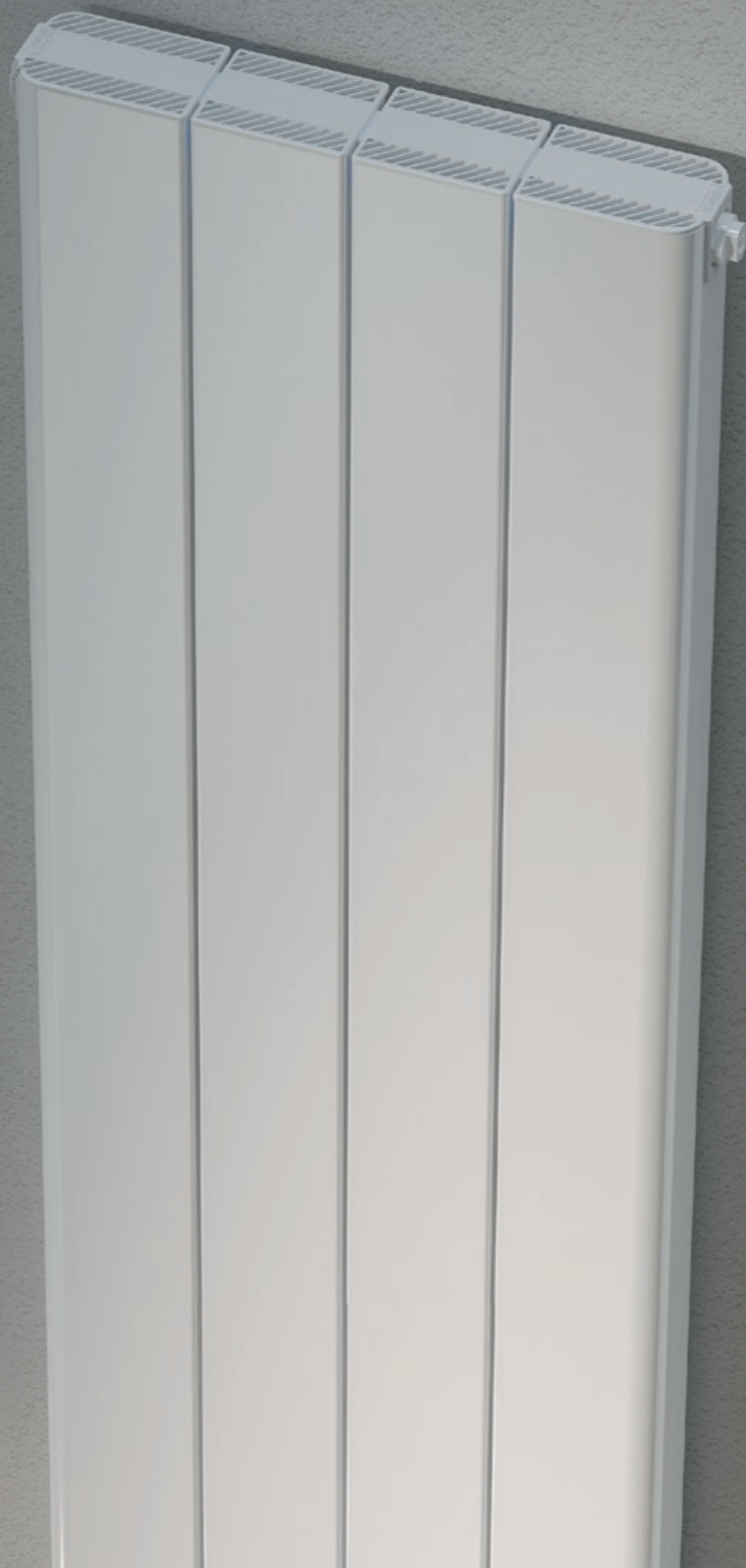
sebino

[®] **GLOBAL** 
RADIATORI

RADIATORS FOR ARCHITECTURE



Sebino 4 sections, 1735 pipe centres, matt dark grey colour, chrome grids, 918 Watt, 3 batteries with accessories



6 cm
**ULTRASLIM
DESIGN**

154
SOLUTIONS

17
dimensions in
HEIGHT

11
dimensions in
LENGTH

11
different
fittings for
**HYDRAULIC
CONNECTIONS**

10
finish
COLOURS



Sebino 6 sections, 2000 pipe centres, black matt colour, chrome grids, 1538 Watt



Sebino 6 sections, 1800 pipe centres, white glossy colour, white grids, 1417 Watt



SHAPED TOWEL RAILS
art. A218, colour matt dark grey

SHAPED TOWEL RAILS
art. A228, colour matt black

Sebino 6 sections, 2000 pipe centres, white matt colour, white grids, 1538 Watt, with accessories



Sebino 8 sections, 700 pipe centres, white sand colour, white grids, 1052 Watt



Sebino 4 sections, 2000 pipe centres, black matt colour, chrome grids, 1026 Watt, with accessories

The Global radiators convey our values: to improve the quality of life. They are manufactured based on professional skills and experience, creativity, research, development and advanced technologies that respect the environment.

LOW TEMPERATURES

Global radiators can be installed in combination with standard or condensing boilers, boilers using natural gas, diesel, wood or pellets, operating at both normal and low temperatures or with heat pumps.

HIGH HEAT OUTPUT

Guaranteed by the tests conducted pursuant to the EN 442 Standard by the Politecnico di Milano. The high heat output allows the installation of space-saving radiators and efficient use even in low-temperature installations.

ENERGY SAVING WITH MAXIMUM COMFORT

With the Global radiators the regulation of the temperature is easy and inexpensive. An ideal temperature for every environment according to personal needs is rapidly achieved.

VERY LONG DURATION

Thanks to the high quality of the material, that gives the maximum guarantee of resistance and duration. The double protection in the "anaphoresis-bath" followed with epoxy power enameling guarantees a perfect and durable finish.

EASIER INSTALLATION

Due to the lightness of the aluminum and the sectional elements that allow greater ease and flexibility of installation.

CERTIFIED QUALITY

ICIM has certified the GLOBAL Quality Management System (ISO 9001 standard) and the Environmental Management System (ISO 14001 standard).



Sebino 8 sections, 530 pipe centres, metallic matt dark grey, chrome grids, 784 Watt

SEBINO	n. of sections	dimensions mm				Ø connections	empty weight Kg ca.	contents water litres	heat output EN 442		exponent n	coefficient Km	
		A overall height	B width	C depth	D pipe centres				ΔT 50°C	ΔT 30°C			
		Watt	Watt	Watt	Watt								
350	5	384	420	60	350	1/2"	4,16	0,5	356	183	1,30044	2,19500	
	6	384	500	60	350	1/2"	4,97	0,6	427	220	1,30044	2,63400	
	7	384	580	60	350	1/2"	5,79	0,7	498	256	1,30044	3,07300	
	8	384	660	60	350	1/2"	6,60	0,8	569	293	1,30044	3,51200	
	9	384	740	60	350	1/2"	7,43	0,9	640	329	1,30044	3,95100	
	10	384	820	60	350	1/2"	8,26	1,0	711	366	1,30044	4,39000	
	11	384	900	60	350	1/2"	9,10	1,2	782	403	1,30044	4,82900	
	12	384	980	60	350	1/2"	9,93	1,3	853	439	1,30044	5,26800	
	13	384	1060	60	350	1/2"	10,78	1,4	924	476	1,30044	5,70700	
	14	384	1140	60	350	1/2"	11,63	1,5	995	512	1,30044	6,14600	
	500	5	534	420	60	500	1/2"	5,40	0,7	458	235	1,31231	2,69925
		6	534	500	60	500	1/2"	6,46	0,8	550	281	1,31231	3,23910
		7	534	580	60	500	1/2"	7,52	0,9	641	328	1,31231	3,77895
		8	534	660	60	500	1/2"	8,58	1,1	733	375	1,31231	4,31880
9		534	740	60	500	1/2"	9,64	1,2	824	422	1,31231	4,85865	
10		534	820	60	500	1/2"	10,70	1,3	916	469	1,31231	5,39850	
11		534	900	60	500	1/2"	11,81	1,5	1008	516	1,31231	5,93835	
12		534	980	60	500	1/2"	12,92	1,6	1099	563	1,31231	6,47820	
13		534	1060	60	500	1/2"	14,03	1,7	1191	610	1,31231	7,01805	
14		534	1140	60	500	1/2"	15,14	1,9	1282	657	1,31231	7,55790	
530		5	564	420	60	530	1/2"	5,71	0,7	478	244	1,31468	2,78910
		6	564	500	60	530	1/2"	6,80	0,8	573	293	1,31468	3,34692
		7	564	580	60	530	1/2"	7,89	1,0	669	342	1,31468	3,90474
		8	564	660	60	530	1/2"	8,98	1,1	764	390	1,31468	4,46256
	9	564	740	60	530	1/2"	10,07	1,2	860	439	1,31468	5,02038	
	10	564	820	60	530	1/2"	11,16	1,4	955	488	1,31468	5,57820	
	11	564	900	60	530	1/2"	12,25	1,5	1051	537	1,31468	6,13602	
	12	564	980	60	530	1/2"	13,34	1,7	1146	586	1,31468	6,69384	
	13	564	1060	60	530	1/2"	14,42	1,8	1242	634	1,31468	7,25166	
	14	564	1140	60	530	1/2"	15,51	1,9	1337	683	1,31468	7,80948	
	600	5	634	420	60	600	1/2"	6,24	0,8	523	266	1,32022	2,98590
		6	634	500	60	600	1/2"	7,46	0,9	627	319	1,32022	3,58308
		7	634	580	60	600	1/2"	8,69	1,1	732	372	1,32022	4,18026
		8	634	660	60	600	1/2"	9,91	1,2	836	426	1,32022	4,77744
9		634	740	60	600	1/2"	11,15	1,4	941	479	1,32022	5,37462	
10		634	820	60	600	1/2"	12,39	1,5	1045	532	1,32022	5,97180	
11		634	900	60	600	1/2"	13,66	1,7	1150	585	1,32022	6,56898	
12		634	980	60	600	1/2"	14,92	1,8	1254	638	1,32022	7,16616	
13		634	1060	60	600	1/2"	16,20	2,0	1359	692	1,32022	7,76334	
14		634	1140	60	600	1/2"	17,48	2,1	1463	745	1,32022	8,36052	
623		5	657	420	60	623	1/2"	6,48	0,8	537	274	1,32204	3,04695
		6	657	500	60	623	1/2"	7,72	0,9	644	328	1,32204	3,65634
		7	657	580	60	623	1/2"	8,96	1,1	752	383	1,32204	4,26573
		8	657	660	60	623	1/2"	10,20	1,2	859	438	1,32204	4,87512
	9	657	740	60	623	1/2"	11,43	1,4	967	492	1,32204	5,48451	
	10	657	820	60	623	1/2"	12,67	1,5	1074	547	1,32204	6,09390	
	11	657	900	60	623	1/2"	13,91	1,7	1181	602	1,32204	6,70329	
	12	657	980	60	623	1/2"	15,14	1,9	1289	656	1,32204	7,31268	
	13	657	1060	60	623	1/2"	16,38	2,0	1396	711	1,32204	7,92207	
	14	657	1140	60	623	1/2"	17,62	2,2	1504	766	1,32204	8,53146	

SEBINO	n. of sections	dimensions mm				Ø connections	empty weight Kg ca.	contents water litres	heat output EN 442		exponent n	coefficient Km	
		A overall height	B width	C depth	D pipe centres				ΔT 50°C	ΔT 30°C			
		Watt	Watt	Watt	Watt								
700	5	734	420	60	700	1/2"	7,06	0,8	585	297	1,32813	3,23925	
	6	734	500	60	700	1/2"	8,45	1,0	701	356	1,32813	3,88710	
	7	734	580	60	700	1/2"	9,84	1,2	818	415	1,32813	4,53495	
	8	734	660	60	700	1/2"	11,23	1,4	935	474	1,32813	5,18280	
	9	734	740	60	700	1/2"	12,64	1,5	1052	534	1,32813	5,83065	
	10	734	820	60	700	1/2"	14,05	1,7	1169	593	1,32813	6,47850	
	11	734	900	60	700	1/2"	15,48	1,9	1286	652	1,32813	7,12635	
	12	734	980	60	700	1/2"	16,91	2,0	1403	712	1,32813	7,77420	
	13	734	1060	60	700	1/2"	18,37	2,2	1520	771	1,32813	8,42205	
	14	734	1140	60	700	1/2"	19,82	2,4	1637	830	1,32813	9,06990	
	730	5	764	420	60	730	1/2"	7,36	0,9	603	306	1,33050	3,30980
		6	764	500	60	730	1/2"	8,76	1,0	724	367	1,33050	3,97176
		7	764	580	60	730	1/2"	10,16	1,2	844	428	1,33050	4,63372
		8	764	660	60	730	1/2"	11,56	1,4	965	489	1,33050	5,29568
9		764	740	60	730	1/2"	12,96	1,6	1085	550	1,33050	5,95764	
10		764	820	60	730	1/2"	14,36	1,7	1206	611	1,33050	6,61960	
11		764	900	60	730	1/2"	15,76	1,9	1327	672	1,33050	7,28156	
12		764	980	60	730	1/2"	17,17	2,1	1447	733	1,33050	7,94352	
13		764	1060	60	730	1/2"	18,57	2,3	1568	794	1,33050	8,60548	
14		764	1140	60	730	1/2"	19,97	2,4	1688	855	1,33050	9,26744	
800		5	834	420	60	800	1/2"	7,90	0,9	645	326	1,33604	3,46420
		6	834	500	60	800	1/2"	9,45	1,1	774	391	1,33604	4,15704
		7	834	580	60	800	1/2"	11,00	1,3	903	456	1,33604	4,84988
		8	834	660	60	800	1/2"	12,55	1,5	1032	522	1,33604	5,54272
	9	834	740	60	800	1/2"	14,13	1,7	1161	587	1,33604	6,23556	
	10	834	820	60	800	1/2"	15,70	1,9	1290	652	1,33604	6,92840	
	11	834	900	60	800	1/2"	17,31	2,1	1419	717	1,33604	7,62124	
	12	834	980	60	800	1/2"	18,91	2,2	1548	782	1,33604	8,31408	
	13	834	1060	60	800	1/2"	20,54	2,4	1677	848	1,33604	9,00692	
	14	834	1140	60	800	1/2"	22,16	2,6	1806	913	1,33604	9,69976	
	813	5	847	420	60	813	1/2"	8,06	0,9	653	330	1,33707	3,49145
		6	847	500	60	813	1/2"	9,60	1,1	783	395	1,33707	4,18974
		7	847	580	60	813	1/2"	11,14	1,3	914	461	1,33707	4,88803
		8	847	660	60	813	1/2"	12,67	1,5	1044	527	1,33707	5,58632
9		847	740	60	813	1/2"	14,21	1,7	1175	593	1,33707	6,28461	
10		847	820	60	813	1/2"	15,74	1,9	1305	659	1,33707	6,98290	
11		847	900	60	813	1/2"	17,28	2,1	1436	725	1,33707	7,68119	
12		847	980	60	813	1/2"	18,81	2,3	1566	791	1,33707	8,37948	
13		847	1060	60	813	1/2"	20,35	2,5	1697	857	1,33707	9,07777	
14		847	1140	60	813	1/2"	21,88	2,7	1827	923	1,33707	9,77606	
900		4	934	340	60	900	1/2"	7,01	0,8	563	283	1,34395	2,93084
		5	934	420	60	900	1/2"	8,73	1,0	704	354	1,34395	3,66355
		6	934	500	60	900	1/2"	10,44	1,2	844	425	1,34395	4,39626
		7	934	580	60	900	1/2"	12,16	1,4	985	496	1,34395	5,12897
	8	934	660	60	900	1/2"	13,87	1,6	1126	566	1,34395	5,86168	
	9	934	740	60	900	1/2"	15,62	1,8	1266	637	1,34395	6,59439	
	10	934	820	60	900	1/2"	17,36	2,1	1407	708	1,34395	7,32710	
	11	934	900	60	900	1/2"	19,13	2,3	1548	779	1,34395	8,05981	
	12	934	980	60	900	1/2"	20,90	2,5	1688	850	1,34395	8,79252	
	13	934	1060	60	900	1/2"	22,70	2,7	1829	920	1,34395	9,52523	
	14	934	1140	60	900	1/2"	24,50	2,9	1970	991	1,34395	10,25794	

SEBINO	n. of sections	dimensions mm				Ø connec-tions	empty weight Kg ca.	contents water litres	heat output EN 442		exponent n	coefficient Km	
		A overall height	B width	C depht	D pipe centres				ΔT 50°C	ΔT 30°C			
									Watt	Watt			
1000	4	1034	340	60	1000	1/2"	7,68	0,9	608	305	1,34937	3,10228	
	5	1034	420	60	1000	1/2"	9,56	1,1	761	382	1,34937	3,87785	
	6	1034	500	60	1000	1/2"	11,44	1,3	913	458	1,34937	4,65342	
	7	1034	580	60	1000	1/2"	13,32	1,6	1065	534	1,34937	5,42899	
	8	1034	660	60	1000	1/2"	15,20	1,8	1217	610	1,34937	6,20456	
	9	1034	740	60	1000	1/2"	17,11	2,0	1369	687	1,34937	6,98013	
	10	1034	820	60	1000	1/2"	19,01	2,2	1521	763	1,34937	7,75570	
	11	1034	900	60	1000	1/2"	20,95	2,5	1673	839	1,34937	8,53127	
	12	1034	980	60	1000	1/2"	22,89	2,7	1825	916	1,34937	9,30684	
	13	1034	1060	60	1000	1/2"	24,87	2,9	1977	992	1,34937	10,08241	
	14	1034	1140	60	1000	1/2"	26,84	3,1	2129	1068	1,34937	10,85798	
	1200	4	1234	340	60	1200	1/2"	9,09	1,0	697	348	1,36022	3,40532
		5	1234	420	60	1200	1/2"	11,26	1,3	871	435	1,36022	4,25665
		6	1234	500	60	1200	1/2"	13,43	1,6	1045	522	1,36022	5,10798
7		1234	580	60	1200	1/2"	15,64	1,8	1219	609	1,36022	5,95931	
8		1234	660	60	1200	1/2"	17,84	2,1	1394	696	1,36022	6,81064	
9		1234	740	60	1200	1/2"	20,09	2,3	1568	783	1,36022	7,66197	
10		1234	820	60	1200	1/2"	22,33	2,6	1742	870	1,36022	8,51330	
1400		4	1434	340	60	1400	1/2"	10,44	1,2	782	388	1,37107	3,66232
		5	1434	420	60	1400	1/2"	12,93	1,5	978	485	1,37107	4,57790
		6	1434	500	60	1400	1/2"	15,42	1,8	1173	582	1,37107	5,49348
	7	1434	580	60	1400	1/2"	17,96	2,1	1369	679	1,37107	6,40906	
	8	1434	660	60	1400	1/2"	20,49	2,4	1564	776	1,37107	7,32464	
	9	1434	740	60	1400	1/2"	23,07	2,7	1760	873	1,37107	8,24022	
	10	1434	820	60	1400	1/2"	25,64	3,0	1955	970	1,37107	9,15580	
	1600	4	1634	340	60	1600	1/2"	11,79	1,3	864	429	1,37144	4,04204
		5	1634	420	60	1600	1/2"	14,60	1,7	1081	536	1,37144	5,05255
		6	1634	500	60	1600	1/2"	17,41	2,0	1297	643	1,37144	6,06306
7		1634	580	60	1600	1/2"	20,27	2,3	1513	750	1,37144	7,07357	
8		1634	660	60	1600	1/2"	23,13	2,7	1729	858	1,37144	8,08408	
9		1634	740	60	1600	1/2"	26,04	3,0	1945	965	1,37144	9,09459	
10		1634	820	60	1600	1/2"	28,95	3,3	2161	1072	1,37144	10,10510	
1735		4	1769	340	60	1735	1/2"	12,71	1,4	918	456	1,37169	4,29132
		5	1769	420	60	1735	1/2"	15,68	1,8	1148	570	1,37169	5,36415
		6	1769	500	60	1735	1/2"	18,65	2,1	1378	683	1,37169	6,43698
	7	1769	580	60	1735	1/2"	21,62	2,5	1607	797	1,37169	7,50981	
	8	1769	660	60	1735	1/2"	24,58	2,9	1837	911	1,37169	8,58264	
	9	1769	740	60	1735	1/2"	27,55	3,2	2066	1025	1,37169	9,65547	
	10	1769	820	60	1735	1/2"	30,52	3,6	2296	1139	1,37169	10,72830	
	1800	4	1834	340	60	1800	1/2"	13,14	1,5	944	468	1,37181	4,40960
		5	1834	420	60	1800	1/2"	16,27	1,8	1181	586	1,37181	5,51200
		6	1834	500	60	1800	1/2"	19,40	2,2	1417	703	1,37181	6,61440
7		1834	580	60	1800	1/2"	22,59	2,6	1653	820	1,37181	7,71680	
8		1834	660	60	1800	1/2"	25,78	3,0	1889	937	1,37181	8,81920	
9		1834	740	60	1800	1/2"	29,02	3,3	2125	1054	1,37181	9,92160	
10		1834	820	60	1800	1/2"	32,26	3,7	2361	1171	1,37181	11,02400	
2000		4	2034	340	60	2000	1/2"	14,49	1,6	1026	509	1,37220	4,78228
		5	2034	420	60	2000	1/2"	17,94	2,0	1282	636	1,37220	5,97785
		6	2034	500	60	2000	1/2"	21,39	2,4	1538	763	1,37220	7,17342
	7	2034	580	60	2000	1/2"	24,91	2,8	1795	890	1,37220	8,36899	
	8	2034	660	60	2000	1/2"	28,42	3,2	2051	1018	1,37220	9,56456	
	9	2034	740	60	2000	1/2"	32,00	3,7	2308	1145	1,37220	10,76013	
	10	2034	820	60	2000	1/2"	35,57	4,1	2564	1272	1,37220	11,95570	

The heat output of the Global radiators is seen in the results of the tests carried out in accordance with the EN 442 standard



Thermal performance according to EN 442

The heat output of the Global sections highlighted in the catalogue are certified in accordance with the EN 442 standard, drawn up to respond to the standardisation requirements of heat output in the Member States of the European Community. The advantages of a low temperature system will generate:

- lower fuel consumption due to the decrease in passive losses of thermal energy from boilers, pipes and heaters;
- improved hygiene of heated environments: this solution limits the convective motion of the air to the least necessary;
- lower thermal gradients in heated rooms with a consequent improvement of environmental comfort.

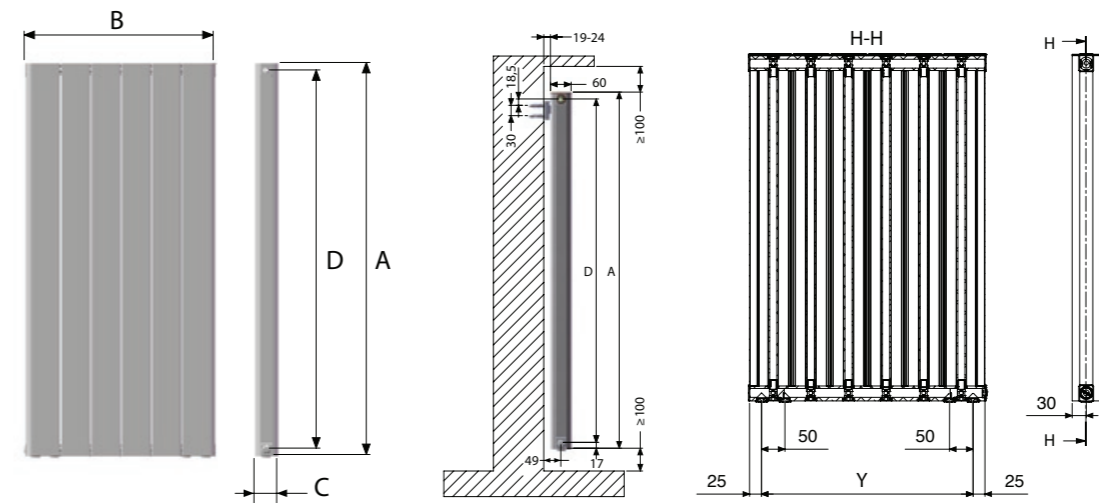
Heat output with ΔT other than 50°C and 30°C

The variation in heat output (P) is calculated by applying the characteristic equation $P = Km \cdot \Delta T^n$

where P = heat output
 Km = characteristic coefficient of each radiator model
 n = distinctive coefficient of the heating element
 ΔT = the resultant of this equation $tm - ta$
 where $tm = te + tu / 2$
 te = entry water temperature
 tu = exit water temperature
 ta = room temperature (standard 20°C)
 tm = mean water temperature

Example Sebino 1600/10 sections, ΔT 40°C

$$P = Km \cdot \Delta T^n \rightarrow P = 10,105 \cdot 40^{1,37144} = 1591 \text{ Watt}$$



sections	Y
4	290
5	370
6	450
7	530
8	610
9	690
10	770
11	850
12	930
13	1010
14	1090

Y = pipe centres with connections from the floor

In order to prevent thermal expansion of the system from causing noise at the heaters, it is recommended to position the plastic brackets (art. A051, included in the supply) in the centre of the space provided.

The highest heat output can be obtained by mounting the radiators observing the following distances:
 = 19 - 24 mm from the wall
 ≥ 100 mm from the floor
 ≥ 100 mm from the shelf or window-sills

CORRECT INSTALLATION, USE AND MAINTENANCE INSTRUCTIONS

- Sebino radiators can be used in all hot water or vapour heating installations up to 110°C with a working pressure up to 1600 K Pascal -16 bar.
- They can be installed in systems using iron, copper or thermoplastic pipes.
- In order to preserve the systems from scaling and corrosion, it is recommended to check the pH of the water (preferably between 6.5 and 8) and to introduce a inhibitive additive such as Cillit-Hs 23 Al or similar in the quantity recommended by the manufacturer.
- Automatic or manual air vent valves must be installed on radiators.
- Avoid complete closure of the radiator shut-off valves in order to allow any gas that there might be inside the same to escape through the automatic air vent valve, which is mandatory in any heating system, thus avoiding possible overpressure that could damage the radiators.
- If one or more batteries are to be excluded from the circuit, an automatic air vent must be fitted to each battery.
- To ensure lasting protection of painting, radiators must not be stored in very wet or damp environments before and after installation such as inside showers, saunas, turkish baths, near swimming pools etc.
 Paint peeling off on parts of the radiator could cause the formation of aluminium oxide and have the paint completely peeled off.
 Do not use porous clay humidifiers.
- For the external cleaning of the radiator, it is necessary to avoid the use of abrasive or chemically corrosive/aggressive products of any nature, as the use of water and neutral detergent is sufficient while performing the operation when the radiators are cold to maintain the original brilliance of the paint over time.
- Do not place weights and/or objects on the radiators. Do not use radiators for any purpose other than heating elements (e.g.: as a support system, as steps, as support for furniture or objects).

RADIATORS FOR ARCHITECTURE ACCESSORIES



U-SHAPED TOWEL RAILS

- A210 white 4 sections
- A211 white 6 sections
- A212 white 8 sections
- A213 white 10 sections
- A216 special colours 4 sections
- A217 special colours 6 sections
- A218 special colours 8 sections
- A219 special colours 10 sections



L-SHAPED TOWEL RAILS

- A228 white
- A228 special colours



CHROME ROUND HANDY GRIP A248 for Sebino



HANDY HOOK GRIP

- A245 white
- A245 chrome
- A245 special colours



CHROME TOWEL RAILS

- A233 4 sections
- A234 6 sections
- A235 8 sections

ACCESSORIES INCLUDED FOR SEBINO

- n. 2/3 art. A051 brackets
- art. A011 1/2" white or chrome plug (for coloured radiators)
- n. 1 art. A041 1/2" white manual air vent valve or art. A038 chrome (for coloured radiators)

- Grids and hole plugs are supplied in the same colour as the radiator
- Chrome grids and hole plugs are supplied on request; free of charge for coloured radiators, at an extra charge for white radiators according to the price list
- Sebino radiators can also be fitted with a bottom connection (50 mm pipe centres), for underfloor pipes (G-H-i-L-M configurations) at a charge of € 10,00 net each radiator



TOP GRILLES DISASSEMBLY INSTRUCTIONS

- For ease of cleaning of Sebino radiators it is possible to remove the top grilles
- pull the grilles upwards by hand using the grasp points indicated in the figure to the side
 - wash the grille using plain water
 - replace the grille applying light pressure until it clicks into place



A053 white centre grid



A053 chrome or special colours centre grid



A054 white side grid



A054 chrome or special colours side grid



A055 white side hole plug



A055 chrome or special colours side hole plug



A011 1/2" white blind plug



A011 1/2" chrome blind plug



A041 adjustable manual air vent valve - white



A038 adjustable manual air vent valve - chrome



A051 white bracket
A051 special colours bracket



A017 RAL 9010 white marker



A350 3/4"-1/2" cone seat reducer



A351 3/4"-1/2" flat seat reducer



A052 diverter



A019 plug wrench



A018 Cillit HS 23 Combi liquid



A010 RAL 9010 white or special colour spray can

HOW TO USE CODES FOR ORDERING

RADIATORS FOR ARCHITECTURE SEBINO

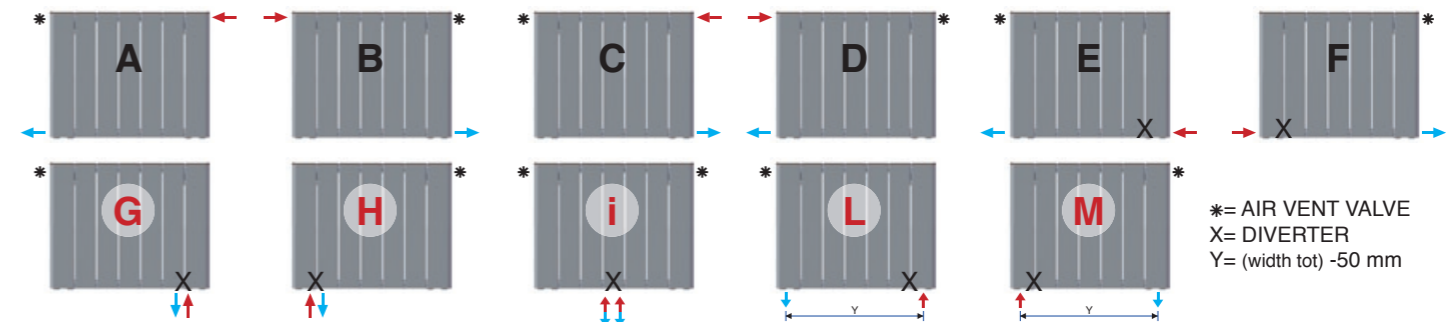
SE radiator model	0350 pipe centres	10 colour code	06 number of sections	A connection
----------------------	----------------------	-------------------	--------------------------	-----------------

Example **SE03501006A**:

SE Sebino model; **0350** pipe centres; **10** white colour; **06** number of sections; **A** connection

When ordering radiators in special colours, please specify the Code according to the Colour Card (ref. table at the bottom of page).

The order for the Sebino model **shall always include the specification of the hydraulic connection**: see diagrams below.



G, H, i, L, M + € 10,00 net

In Sebino radiators with E-F-G-H-i-L-M connections, **the diverter is already inserted.**

The central connection of the configuration -i- can only be arranged **with an odd number of sections.**

Single-pipe valves cannot be used with Sebino radiator as it is not possible to insert the probe. For single-pipe systems, Sebino radiator **shall be installed with appropriate valves** (examples on the side), with 50 mm pipe centres in G-H-i configurations (diagram above).



cod. 10 white glossy RAL 9010	cod. 11 white sand RAL 9016	cod. 12 white matt	cod. 01 ivory glossy RAL 1013	cod. 05 metallic matt beige	cod. 06 metallic matt quartz	cod. 07 metallic matt dark grey	cod. 08 metallic matt silver grey	cod. 09 metallic matt rust	cod. 14 black matt

standard colour | **special colours** see the Colour Card

The colours are indicative. For technical printing reasons, it is no possible to faithfully reproduce the paints used. The colour of the products supplied may differ from that shown in this catalogue.

GLOBAL provides a 10 year warranty from the production date*

The conventional warranty grants the sole right to free replacement of the radiator which, due to defects originating from defects in material or workmanship, is not fit for purpose or its ordinary intended use. Replacement radiators shall be delivered free of charge to the retailer who sold the radiator to the end customer or his installer.

La garantie est opérationnelle à condition que l'installation et l'équipement auquel le produit est lié aient été réalisés par du personnel habilité/qualifié et conformément aux règles de l'art et dans le respect des règles et prescriptions du secteur en vigueur ; ainsi qu'à condition qu'aient été respectées les mises en garde et instructions pour une installation correcte, utilisation et maintenance de produits indiquées dans la documentation technique au paragraphe instructions pour l'installation correcte, utilisation et maintenance, consultables et téléchargeables également dans la section **INFOS TECHNIQUES** du site **globalradiatori.it**. La garantie est soumise aux autres conditions reportées dans le catalogue technique et dans la section **GARANTIE CONVENTIONNELLE** du site **globalradiatori.it**.

* The production date is indicated by the *Matrix Data* code engraved on the back of each battery. Scan with a smartphone to view the numerical sequence shown below:

0 1 0 0 1 0 4 | 2 7 1 7 | 5 6 4 1 | 0 9
G A M



more than
50
YEARS
OF HISTORY

PRODUCTION
made in Global
ITALY



**RESEARCH &
DEVELOPMENT**
made in Global
ITALY



DESIGN
made in Global
ITALY



60.000 sqm
PRODUCTION
AREA

250
EMPLOYEES

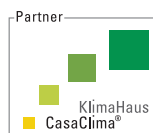
more than
900
DISTRIBUTORS

more than
50
COUNTRIES
WORLDWIDE



GLOBAL di Fardelli Ottorino & C. s.r.l.

24060 ROGNO (BG) ITALIA • via Rondinera, 51
tel. ++39 **035977111** • fax ++39 **035977110**
globalradiatori.it • info@globalradiatori.it



Copyright GLOBAL ©

The images, logos and products included in this catalogue must not be reproduced in any manner or using any medium without prior permission of the parent company. Global reserves the right to change the products and data used in its catalogues at any moment in time.